



Aqua Line

CATALOGUE





ISOPHONE PIPE CLAMPS
M-8 + M-10

Size	Range	Diameter	Steel Size	Breaking Load	Safe Load	Pieces
Inches	mm	mm	mm	Kg	Kg	per carton
½	20 – 25	22	2.0 x 20	600	200	500
¾	25 – 30	28	2.0 x 20	600	200	500
1	31 – 36	34	2.0 x 20	600	200	250
1 ¼	38 – 43	42	2.0 x 20	600	200	250
1 ½	47 – 51	48	2.0 x 20	600	200	250
2	60 – 64	60	2.0 x 20	600	200	250
2 ½	74 – 80	75	2.0 x 20	600	200	200
3	82 – 87	87	2.5 x 20	600	200	100
4	108 – 113	111	2.5 x 20	600	200	100
5	138 – 142	140	2.5 x 20	600	200	100
6	159 – 166	163	2.5 x 20	600	200	50
8	200 – 212	210	2.5 x 20	600	200	50

SPECIFICATIONS :

- EPDM Rubber Lining
- Welded Dual Nut M8 / M10
- Electro Galvanised
- Noise Reduction of 18 DB (A)

CONSTRUCTION FEATURES :

- Horizontal & Vertical Installations
- Steel & PVC pipes
- Rubber lining for reduction of noise & vibration



PLAIN CLAMPS
M-8 + M-10

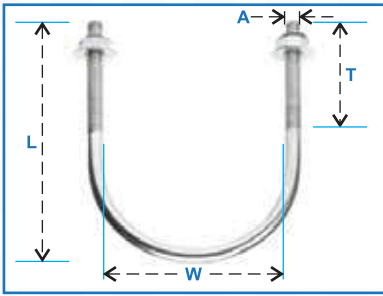
Size	Range	Diameter	Steel Size	Breaking Load	Safe Load	Pieces
Inches	mm	mm	mm	Kg	Kg	per carton
½	20 – 25	22	2.0 x 20	600	200	500
¾	25 – 30	28	2.0 x 20	600	200	500
1	31 – 36	34	2.0 x 20	600	200	250
1 ¼	38 – 43	42	2.0 x 20	600	200	250
1 ½	47 – 51	48	2.0 x 20	600	200	250
2	60 – 64	60	2.0 x 20	600	200	250
2 ½	74 – 80	75	2.0 x 20	600	200	200
3	82 – 87	87	2.5 x 20	600	200	100
4	108 – 113	111	2.5 x 20	600	200	100
5	138 – 142	140	2.5 x 20	600	200	100
6	159 – 166	163	2.5 x 20	600	200	50
8	200 – 212	210	2.5 x 20	600	200	50

SPECIFICATIONS :

- Welded Dual Nut M8 / M10
- Electro Galvanised
- M-6 side screws with plastic washers

CONSTRUCTION FEATURES :

- Horizontal & Vertical Installations
- Steel & PVC pipes



U - BOLTS

Size Inches	A	W	L	T
1/2	M10	21	65	50
3/4	M10	27	77	50
1	M10	34	85	50
1 1/4	M10	43	93	50
1 1/2	M10	48	100	50
2	M10	60	110	50
2 1/2	M12	76	127	50
3	M12	89	140	50
4	M12	115	165	50
5	M12	140	190	50
6	M12	168	220	50
8	M16	219	295	75
10	M20	273	370	100
12	M20	324	420	100
14	M20	356	455	100
16	M20	406	505	100
18	M24	457	555	100
20	M24	508	605	100
24	M24	610	710	100

SPECIFICATIONS :

- High Load Capacity due to one piece design.
- Supplied with two or four Nuts.

TECHNICAL DATA

- Mild Steel
- Electro Galvanized 6 micron



CHANNEL CLAMPS

Size Inches	Material mm	Bolt & Nut mm	Pieces per carton
3/4	1.5 x 32	M6 X 25mm	250
1	1.5 x 32	M6 X 25mm	250
1 1/4	1.5 x 32	M6 X 25mm	250
1 1/2	1.5 x 32	M6 X 25mm	250
2	1.5 x 32	M6 X 25mm	200
2 1/2	2.0 x 32	M6 X 35mm	100
3	2.0 x 32	M6 X 35mm	100
4	2.0 x 32	M6 X 35mm	100
6	2.0 x 32	M8 X 50mm	50
8	2.0 x 32	M8 X 50mm	50

SPECIFICATIONS :

- Electro Galvanized 6 micron

CONSTRUCTION FEATURES :

- Horizontal & Vertical Installations
- Steel & PVC pipes



NAIL CLAMPS

Size	Range	Diameter	Square Nail mm		Pieces
Inches	mm	mm	Square size	Length of Nail	per carton
1/2	20 – 25	22	6	62	500
3/4	25 – 30	28	6	62	500
1	31 – 36	34	6	62	250
1 1/4	38 – 43	42	6	62	250
1 1/2	47 – 51	48	6	62	250
2	60 – 64	60	6	62	250
2 1/2	74 – 80	75	6	62	200
3	82 – 87	87	8	90	100
4	108 – 113	111	8	90	100
5	138 – 142	140	8	90	100
6	159 – 166	163	8	90	50
8	200 – 212	210	8	90	50

SPECIFICATIONS :

- 1/2" to 2 1/2" : 2.0 x 20 mm Steel Strip
- 3" to 8" : 2.5 x 20 mm Steel Strip
- Electro Galvanised
- M6 x 16 mm side screws
- Nail : 1/2 to 2 1/2 – 6 mm Square x 62 mm
- 3 to 8 – 8 mm Square x 90 mm

APPLICATIONS :

- Steel & PVC pipes



PVC FISHER PLUGS

Size	Length	Drill Size	Drill Size	Punch	Screw
mm	mm	mm	Inches	Size	Size
8 x 35	25	4.7	3/16	8 No.	6/8
8 x 35	35	4.7	3/16	8 No.	6/8
10 x 30	25	6.3	1/4	10 No.	8/10
10 x 45	45	6.3	1/4	10 No.	8/105
8 x 25	28	4.7	3/16	8 No.	6/8
10 x 30	30	6.3	1/4	10 No.	8/10
12 x 50	50	7.9	5/16	12 No.	12
12 x 50	50	7.9	5/16	12 No.	12
14 x 80	80	12.7	1/2	14 No.	14
14 x 80	80	12.7	1/2	14 No.	14

SPECIFICATIONS :

We offer high rated rawl plugs in standard configurations as per our clients' requirements. These are widely used in different industries for different applications.

Their main purpose is to hold screws firmly in their place.

Material : Polymer

Colour : Grey & White



P - CLAMPS

Size	Steel Size	Pieces
mm	mm	per carton
10	0.8 X 13	1000
12	0.8 X 13	1000
16	0.8 X 13	1000
20	0.8 X 13	1000
25	0.8 X 13	1000
32	0.8 X 13	500
40	0.8 X 13	500
50	0.8 X 13	500

SPECIFICATIONS :

- Electro Galvanized 6 micron
- Anti-Edge EPDM Rubber Lining



U - STRAPS

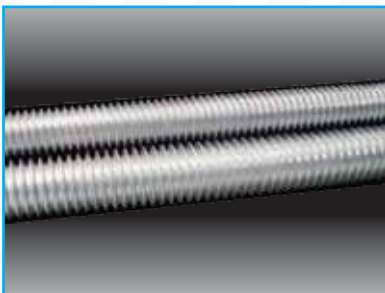
Size	Diameter	Steel Size	SCREW SIZE	Pieces
Inches	mm	mm	WITH SQ. NUT	per carton
2	60	1.6 X 19	M6 X 15	100
3	87	1.6 X 19	M6 X 15	100
4	111	1.6 X 19	M6 X 15	100
6	163	1.6 X 19	M6 X 15	50

SPECIFICATIONS :

- Electro Galvanized 6 Micron

CONSTRUCTION FEATURES :

- Designed for fixing pipes away from wall or floor
- Steel & PVC pipes
- Suitable for risers



GI THREADED ROD

SPECIFICATIONS :

- Length: 1m-3m
- Size: M6-M30
- Grade: Grade 4.8, grade 8.8
- Coating: Zinc plating



HOSE CLAMPS

Size	Mascots	A	B	C	D	E	F	T
in mm	sizes	mm max	mm max	mm max	mm max	mm max	mm max	mm max
12 to 20	000 - 00	21	10	14	13	9	10	0.9
22 to 45	0 to 45A	29	12	17	16	11	13	1
50 & above	2A & above	32	12	20	16	11	13	1

Size	Clamp	Size		Size		Min Torque	Min Pressure
in mm	size	in Inch		in mm		KgF/cm	KgF/cm ²
12	000	3/8	1/2	9.5	12	46	14.1
16	00M	1/2	5/8	11	16	46	14.1
20	00	1/2	3/4	15	20	46	14.1
22	0	5/8	7/8	16	22	58	14.1
25	100S	3/4	1	19	25	58	14.1
28	0X	7/8	1 1/8	20	28	58	14.1
30	1A	1	1 1/4	22	30	69	8.4
35	137S	1	1 3/8	25	35	69	8.4
38	1	1 1/4	1 1/2	30	38	69	8.4
41	1X	1 1/8	1 5/8	30	41	69	8.4
45	45A	1 3/8	1 3/4	35	45	81	8.4
50	2A	1 1/4	1 7/8	38	50	81	8.4
55	2	1 1/2	2 1/8	42	55	81	8.4
60	2X	1 3/4	2 3/8	45	60	92	8.4
65	2XB	1 3/4	2 1/2	45	65	92	4.2
70	3	2	2 3/4	50	70	92	4.2
80	3X	2 3/8	3 1/8	60	80	92	4.2
90	4	2 3/4	3 1/2	70	90	92	4.2
100	4X	3 1/4	4	80	100	92	4.2
110	110A	3 1/2	4 3/8	90	110	92	4.2
115	5	3 3/4	4 5/8	95	115	92	4.2
120	5X	4	4 3/4	100	120	92	4.2
130	6	4 1/8	5	105	130	92	4.2
140	140A	5	5 1/2	125	140	92	4.2
145	5755	5	5 3/4	127	145	92	4.2
150	150A	5 1/2	6	135	150	92	4.2
160	6X	5 5/8	3 3/8	140	160	92	4.2

Clamps are technically superior and are made specially to withstand high pressure and stresses, setting standards in quality with multi functional uses in offshore oil fields, industrial, automotive, agriculture, marine engineering and other critical areas.



CLEVIS HANGER

Size	Diameter	Steel Size	Bolt & Nut	Pieces
Inches	mm	mm	Size	per carton
3/4	28	2.5 x 25	M6 x 50	200
1	34	2.5 x 25	M6 x 65	150
1 1/4	42	2.5 x 25	M6 x 75	125
1 1/2	48	3 x 25	M6 x 75	100
2	60	3 x 25	M6 x 90	80
2 1/2	75	3 x 25	M8 x 100	50
3	87	3 x 25	M8 x 130	30
4	111	3 x 25	M10 x 140	20
6	163	3 x 25	M12 x 190	10
8	210	3 x 32	M16 x 240	10

SPECIFICATIONS :

- Material : Mild steel
- Electro galvanized 6 micron

APPLICATIONS

- Designed for Chilled water pipework and Fire fighting systems
- Design permits vertical adjustment of pipe after installation
- Hanger load nut above clevis must be tighten securely to ensure proper hanger performance.



CONDUIT CLAMP

Size	Material	Pieces
Inches	mm	per carton
½	1.6 X 16	1000
¾	1.6 X 16	1000
1	1.6 X 16	1000
1 ¼	1.6 X 16	500
1 ½	1.6 X 16	500
2	1.6 X 16	500
2 ½	1.6 X 16	250
3	2.0 X 19	200
4	2.0 X 19	100
6	2.0 X 19	50

SPECIFICATIONS :

- Electro Galvanized 6 micron
- Made of mild carbon steel



PEAR CLAMPS WITH SWIVEL NUTS

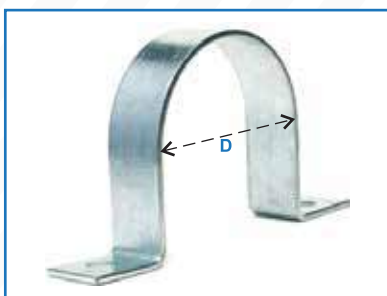
Size	Diameter	Thickness	Width	Swivel	Breaking Load	Safe Load
Inches	mm	mm	mm	Nut	Kg	Kg
¾	28	1.6	20	M10	350	1050
1	35	1.6	20	M10	350	1050
1 ¼	42	1.6	20	M10	350	1050
1 ½	48	1.6	20	M10	350	1050
2	60	1.6	20	M10	350	1050
2 ½	75	1.6	20	M10	350	1050
3	86	2.0	20	M10	350	1050
4	114	2.0	20	M10	350	1050
5	140	2.5	25	M10	350	1050
6	163	2.5	25	M12	600	1800
8	210	2.5	25	M12	600	1800

SPECIFICATIONS :

- Electro Galvanized
- Swivel Nut is knurled to provide gripping surface

APPLICATIONS

- Suspending pipes in fire fighting system



U - CLAMP

Size Inches	D - mm	Strip Size	Pcs per Carton
½	22	16 x 1.6	1000
¾	28	16 x 1.6	1000
1	35	16 x 1.6	1000
1 ¼	42	16 x 1.6	500
1 ½	48	16 x 1.6	500
2	60	16 x 1.6	500
2 ½	75	16 x 1.6	250
3	90	18 x 1.6	250
4	115	18 x 1.6	250
6	167	19 x 2.0	100

SPECIFICATIONS :

- Mild Steel
- Electro galvanized 6 micron

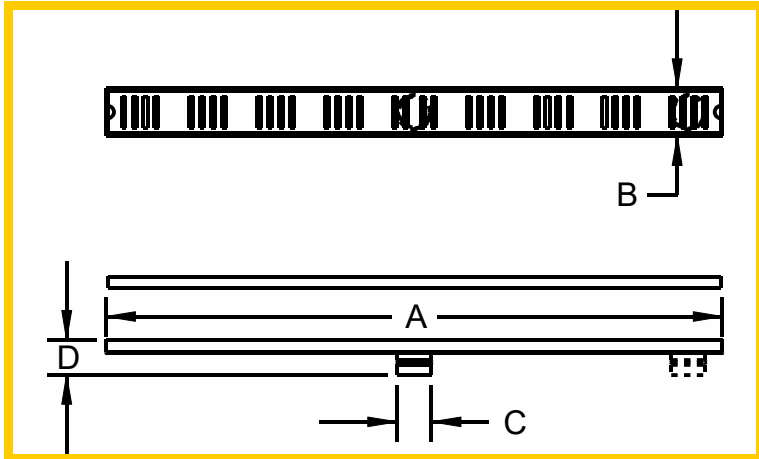
CONSTRUCTION FEATURES :

- Used to mount plain or insulated pipes.
- Can be used with Rubber Support Inserts.

Aqua Line

Data/Specification Sheet

Shower Drain



Dimensions in mm

A	B	C	D
300	70	50	50
450	70	50	50
600	70	50	50
750	70	50	50
900	70	50	50
1000	70	50	50
1200	70	50	50

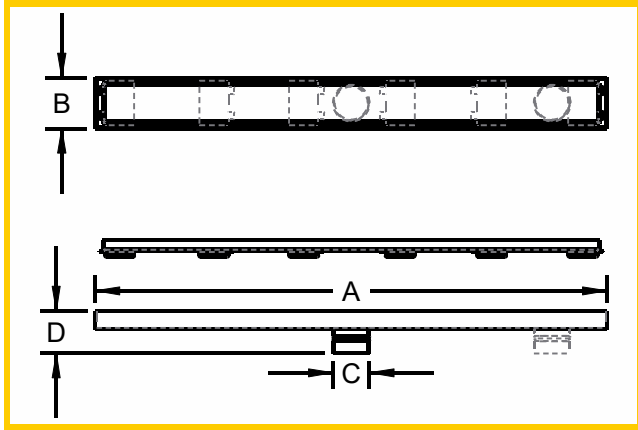
- ◆ All AquaLine products are made of high quality material and carry warranty upto 20 years.
- ◆ Material: SS304/SS316/SS316L
- ◆ Material Thickness range 1mm - 2.5mm.

Customization in design and sizes available. Middle / Side outlet available.
All dimensions mentioned are in mm.

Aqua Line

Data/Specification Sheet

Tile Insert-Shower Drain



Dimensions in mm

A	B	C	D
300	70	50	50
450	70	50	50
600	70	50	50
750	70	50	50
900	70	50	50
1000	70	50	50
1200	70	50	50

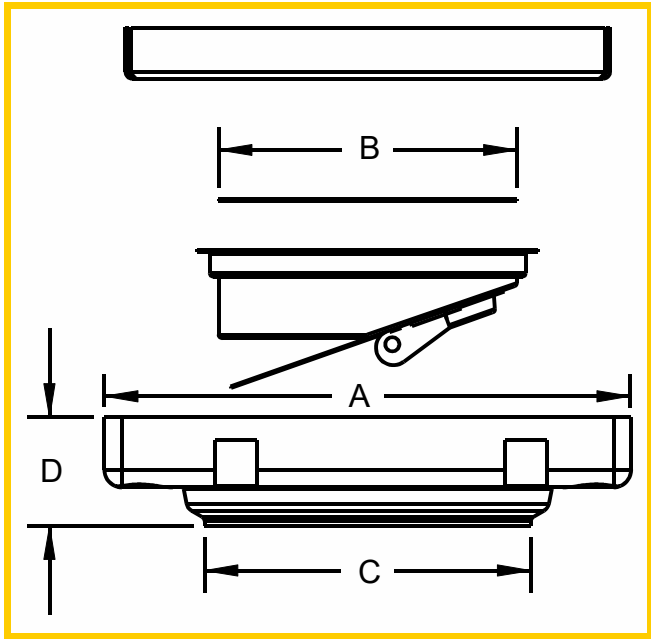
- ◆ All AquaLine products are made of high quality material and carry warranty upto 20 years.
- ◆ Material: SS304/SS316/SS316L
- ◆ Material Thickness range 1mm - 2.5mm.

Customization in design and sizes available. Middle / Side outlet available.
All dimensions mentioned are in mm.

Aqua Line

Data/Specification Sheet

Tile Insert-SS Trapper



Dimensions in mm

A	150x150	125x125
B	85	85
C	85	90
D	30	30

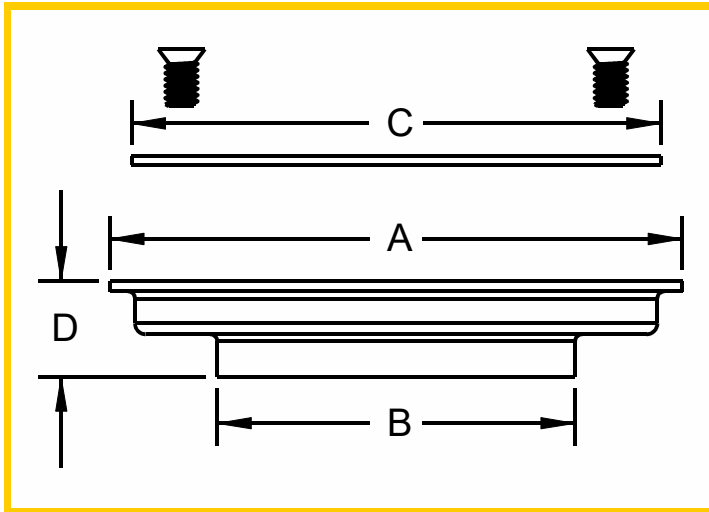
- ◆ All AquaLine products are made of high quality material and carry warranty upto 20 years.
- ◆ Material: SS304/SS316/SS316L
- ◆ Material Thickness range 1mm - 2.5mm.

Customization in design and sizes available. All dimensions mentioned are in mm.

Aqua Line

Data/Specification Sheet

Floor Drain-2 pc



Dimensions in mm

A	B	C	D
200X200	150	165	25
150X150	102	111	18
125X125	102	111	18
100X100	50	70	15
80X80	50	70	15



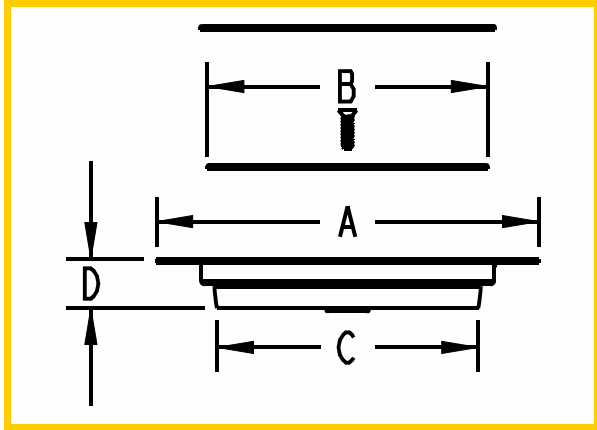
- ◆ All AquaLine products are made of high quality material and carry warranty upto 20 years.
- ◆ Material: SS304/SS316/SS316L
- ◆ Material Thickness range 1mm - 2.5mm.

Customization in design and sizes available. All dimensions mentioned are in mm.

Aqua Line

Data/Specification Sheet

Floor Drain-3 pc



Dimensions in mm

A	B	C	D
200X200	170	150	25
150X150	114	102	18
125X125	114	102	18
100X100	75	50	15
80X80	75	50	15



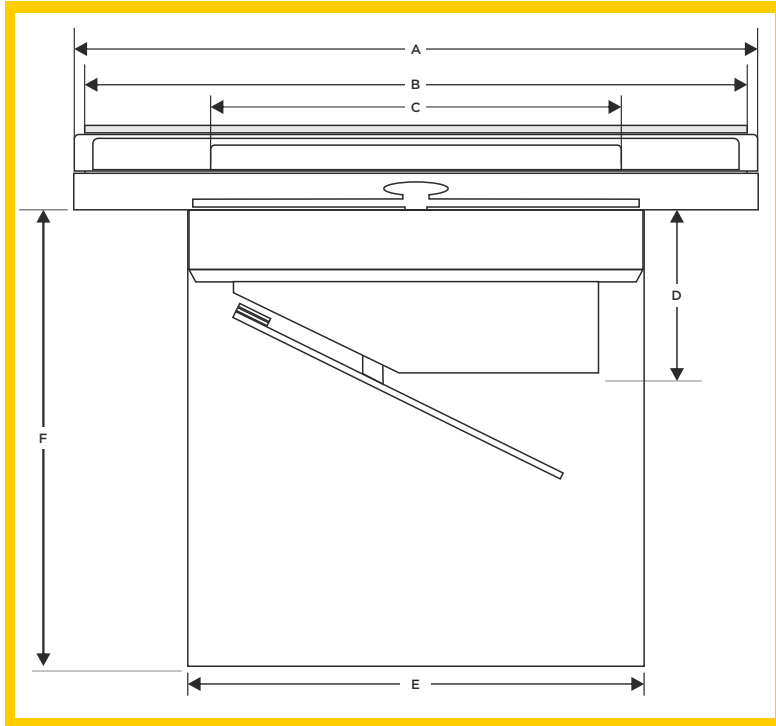
- ◆ All AquaLine products are made of high quality material and carry warranty upto 20 years.
- ◆ Material: SS304/SS316/SS316L
- ◆ Material Thickness range 1mm - 2.5mm.

Customization in design and sizes available. All dimensions mentioned are in mm.

Aqua Line

Data/Specification Sheet

Floor Drain - Square Hinged



Dimensions in mm

A	B	C	D	E	F
150 x 150	135	95	95	102	100

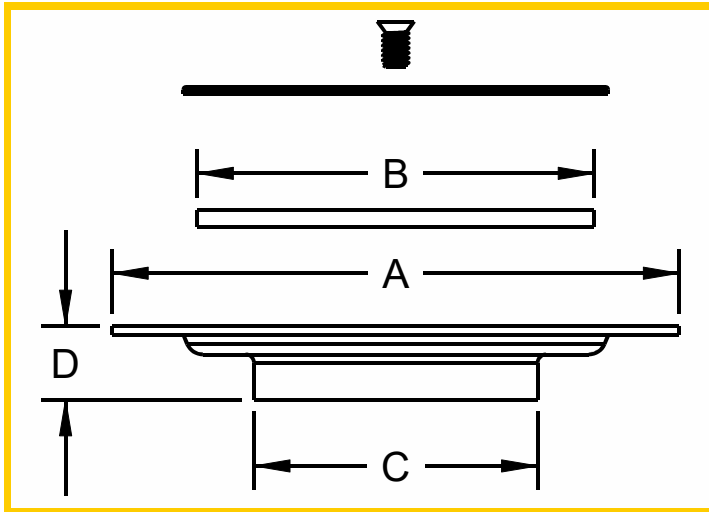
- ◆ All AquaLine products are made of high quality material and carry warranty upto 20 years.
- ◆ Body and Trap Material: ABS, Finish: Matt / Mirror
- ◆ Cover Material: SS304/SS316, Grating: SS304/SS316
Push Fit Outlet

All dimensions mentioned are in mm.

Aqua Line

Data/Specification Sheet

Clean Out



Dimensions in mm

A	B	C	D
200x200	170	165	25
150x150	114	111	18
125x125	114	111	18
100x100	75	70	15
80x80	75	70	15



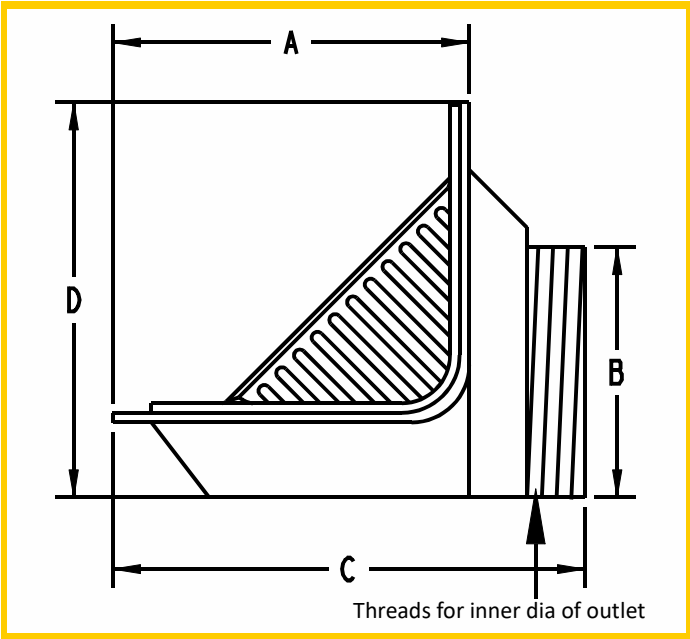
- ◆ All AquaLine products are made of high quality material and carry warranty upto 20 years.
- ◆ Material: SS304/SS316/SS316L ; Rubber for Gasket.
- ◆ Material Thickness range 1mm - 2.5mm.

Customization in design and sizes available. All dimensions mentioned are in mm.

Aqua Line

Data/Specification Sheet

L-Shape Scupper Drain



Dimensions in mm

A	B	C	D
160x160	100	230	200
160x160	75	230	200
160x160	50	230	200

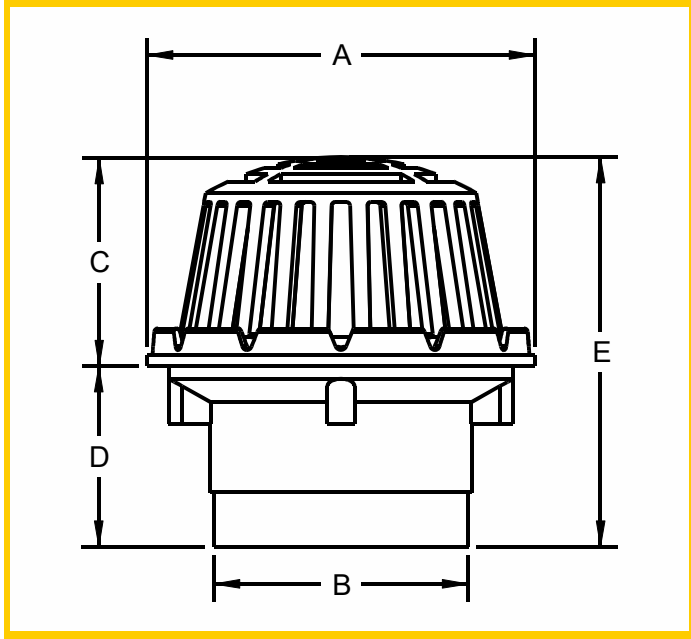
- ◆ All AquaLine products are made of high quality material and carry warranty upto 20 years.
- ◆ Base material - CI, Grate material - Aluminium.

Customization in design and sizes available. All dimensions mentioned are in mm.

Aqua Line

Data/Specification Sheet

Dome Shaped-Roof Drain



Dimensions in mm

A	225	225	225
B	110	110	110
C	85	85	110
D	100	100	100
E	185	185	210

- ◆ All AquaLine products are made of high quality material and carry warranty upto 20 years.
- ◆ Material: CI

Customization in design and sizes available. All dimensions mentioned are in mm.

Aqua Line cannot guarantee and assumes legal liability or responsibility for the accuracy or completeness of the information provided.

With a policy of continuous product development, Aqua Line may modify product design and specification without due notice.

Distributed by..



AQUALINE BUILDING MATERIALS TRADING LLC

TEL: +971 4 2574088

info@aqua-line.ae

www.aqua-line.ae